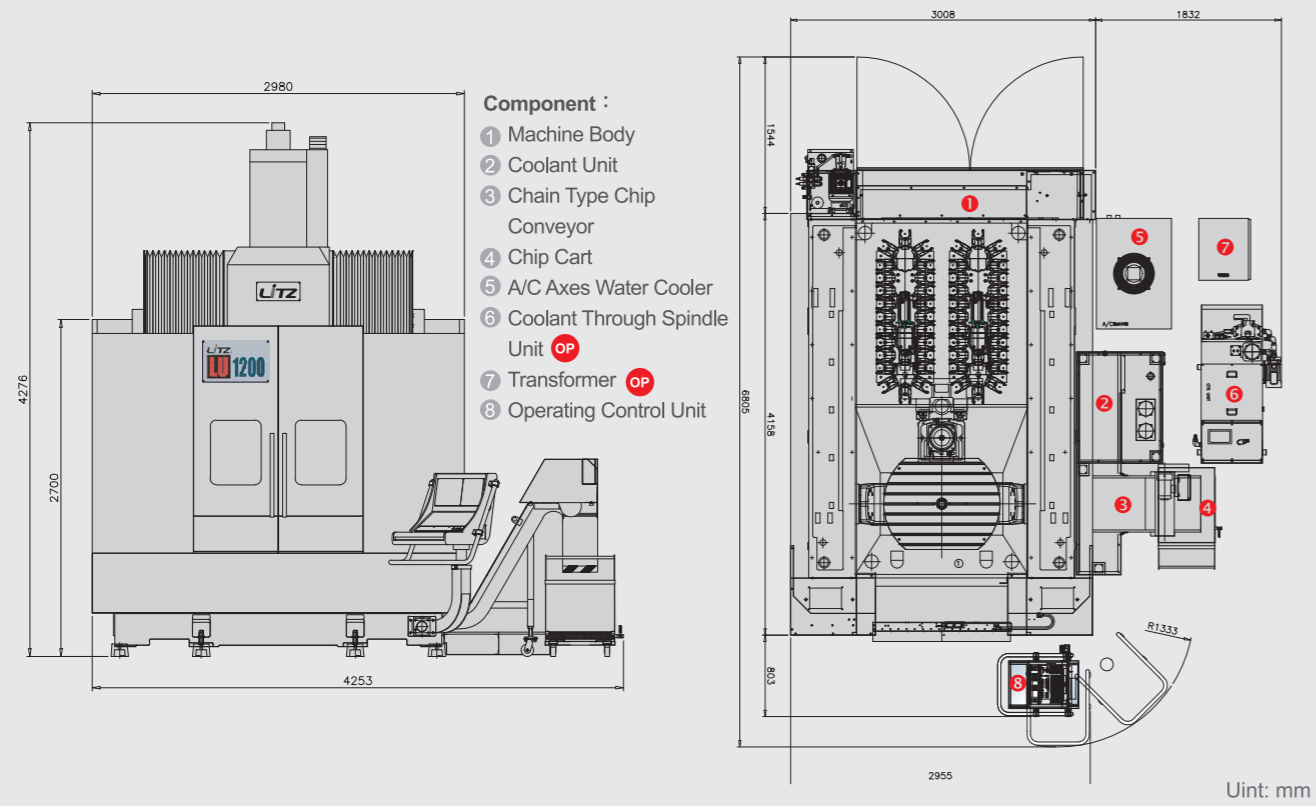
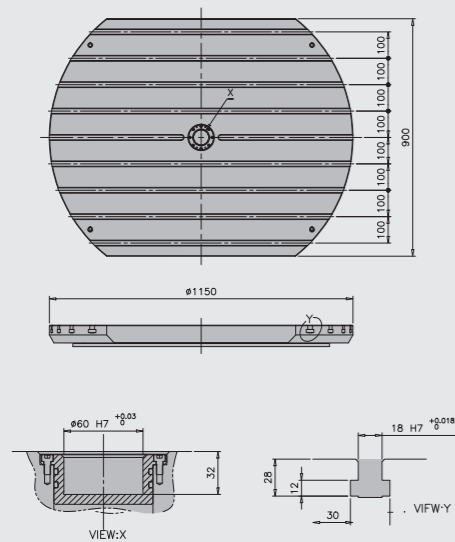


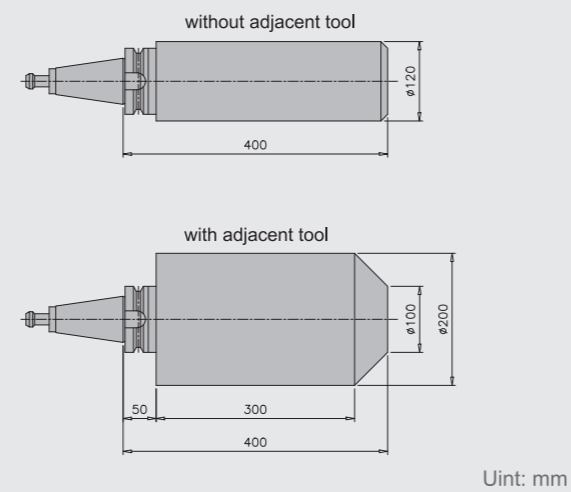
Machine Dimension (LU-1200B)



Worktable Size (LU-1200B)



Tool Dimension



LITZ HITECH CORP.

No.18 Yu 9 Rd., Yu Shih Ind. Park,
Tachia District, Taichung City 437, Taiwan
Tel : +886-4-2681 5711
Fax : +886-4-26815108 · 26815712
http : //www.litzhitech.com
E-mail : sales@litzhitech.com



LU-1200

5-Axes



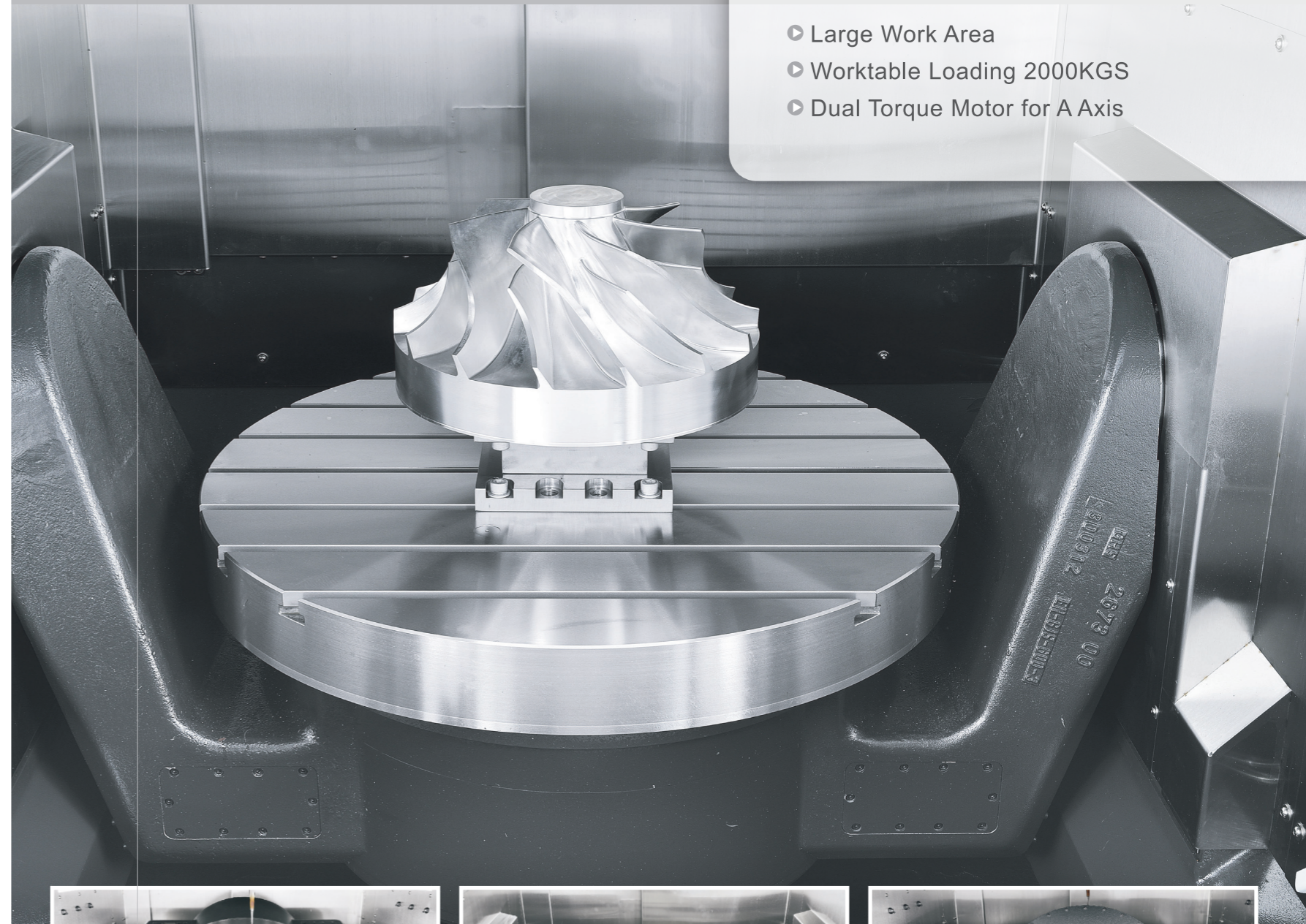
Litz Hitech Preliminary LU-1200 Specification (Confidential Info)

Model	LU-1200	
Travel		
X Axis	mm	1100
Y Axis	mm	1370+380
Z Axis	mm	800
Spindle Nose to Work Table Surface	mm	150-950
Worktable Size	mm	φ1150*900W
Worktable Max Loading	Kg	2000
A Axis Tilting Angle	Degree	±120°
C Axis Rotating Angle	Degree	360°
Spindle		
Spindle Transmission		Direct Drive(Standard) / Built-In (Option)
Spindle Taper		#50 BBT/CAT/DIN
Spindle Speed	rpm	8000
Spindle Power (Cont./30mins)	Kw/(HP)	27/64kw
Max Torque	Nm	400
Rapid Speed		
X/Y/Z	m/min	48/48/48
Cutting Feed	m/min	0.001-20
A Axis Max Speed	rpm	26
C Axis Max Speed	rpm	50
ATC Tool Changing System		
Tool Capacity	T	24T(Standard) / 48T (Optional)
Tool Changing Method		DRUM
Max Tool Length	mm	400
Max Tool Weight	Kg	15
Max Tool Dia./No Adjacent Tool	mm	φ125/φ200
Control		
Model		Heidenhain iTNC-530

Rotary Table (A/C Axes) Unit

► A/C Axes Direct Drive Motor w/ Angular Encoder - A Superior Alternative for Transmission & Power Consumption over Conventional Worm Gear Mechanism.

- Large Work Area
- Worktable Loading 2000KGS
- Dual Torque Motor for A Axis



Cutting & Interfering Area (LU-1200B)

