

MCH-630

MCV-720

HORIZONTAL MACHINING CENTER

MCV-1020A

MCH-630

MCV-1020BA

MCV-1250

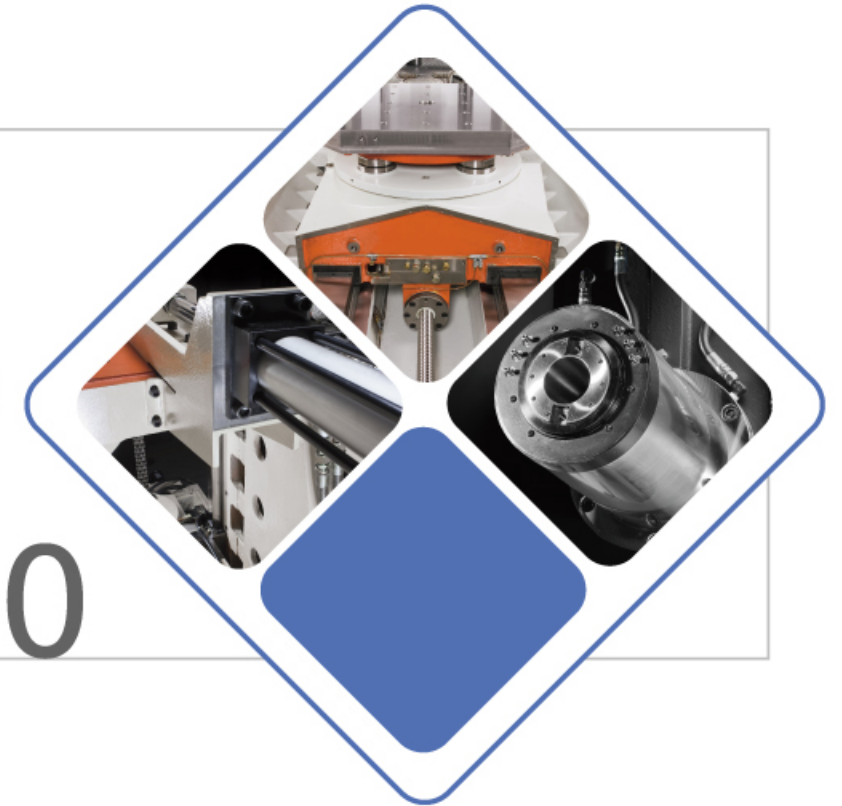
MCV-1450

MCV-1700

MCV-2100

MCV-2600

DCM-2213



DAH LIH MACHINERY INDUSTRY CO., LTD.

No. 3, Kung-Yeh Lane, Fengcheng Road, Nanshih Tsun,
Wufeng Shiang, Taichung Hsien, 413, Taiwan.

TEL:886-4-23334567 FAX:886-4-23307567

E-mail:export.sale@dahliah.com.tw Http://www.dahliah.com.tw

022-D2-00-013

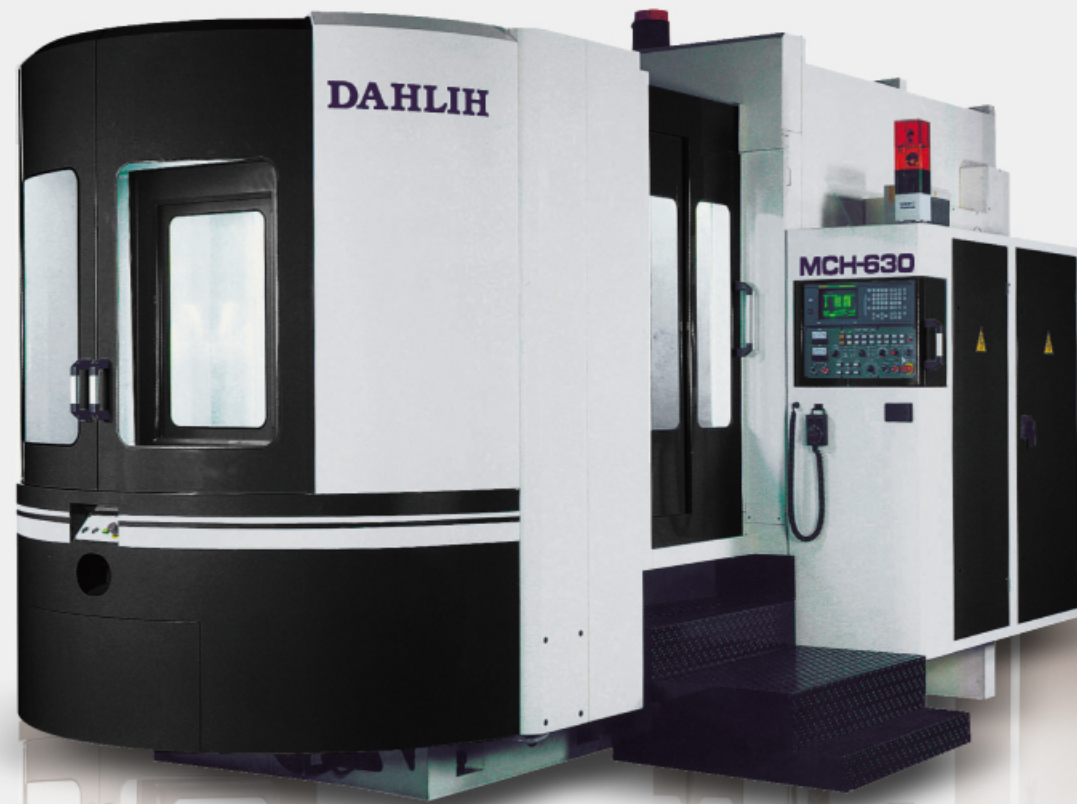
1000, 04, 2009

The Latest and Best Quality Machinery.
DAHLIH®

Rugged! Stable! Precision-built for Years of Accurate Machining Work!

The Dah Lih MCH-630 Horizontal Machining Center will add speed and efficiency to your machining operations. With its outstanding features, the MCH-630 will help you get higher productivity.

- » Traveling column structure for increasing efficiency.
- » T-Shaped base features outstanding structural stability.
- » Extra wide box ways on three axes upgrades machining stability.
- » Swing type APC permits fast workpiece change.
- » Choice of 60 or 90 tool chain-type magazine.
- » Gear-drive spindle makes the machine ideal for heavy cutting.
- » Linear scales on 3 axes are standard.



MCH-630



Rugged Design, Precision Performance.



Alloy Steel Covered Three Axes Slideways
All 3 axes slideways are encased in alloy steel for increased long term machine performance. Benefits include Improved hardness, wear resistance and slideway dampening. (Optional)



Box Ways on Three Axes
Extra wide box ways on three axes are designed for firm support and reducing vibration to a minimum. This makes the machine ideal for heavy cutting.

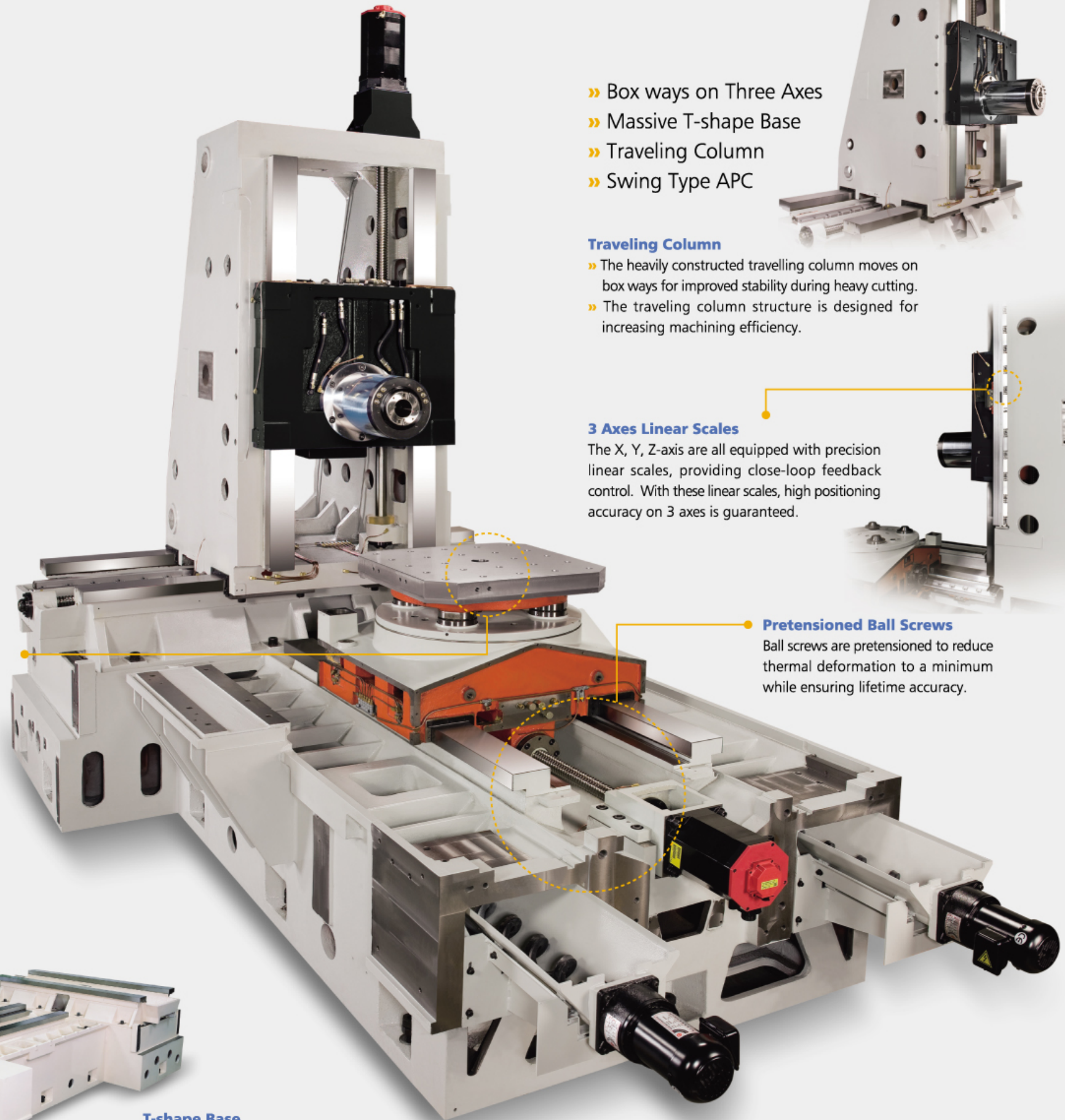


Hydraulic Counter-balance
The Y-axis movement is counter-balanced by hydraulic cylinder. This results in increased stability and smoothness of feed motion on Y-axis.

0.001° Extra High Accuracy Rotary Table (optional)
Designed for extra high machining requirement, the 0.001° Continuous rotary table features minimum backlash and high positioning accuracy.



T-shape Base
The massive base is a T-shape construction combined with triangular rib reinforcement, exhibiting exceptionally high rigidity.

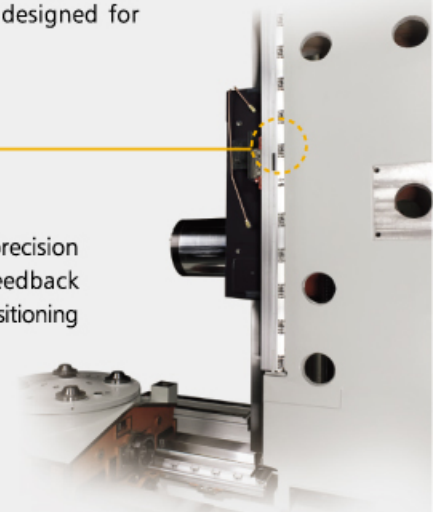
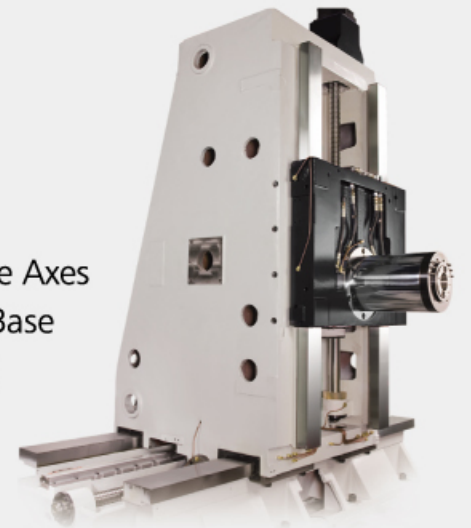


- » Box ways on Three Axes
- » Massive T-shape Base
- » Traveling Column
- » Swing Type APC

Traveling Column
» The heavily constructed travelling column moves on box ways for improved stability during heavy cutting.
» The traveling column structure is designed for increasing machining efficiency.

3 Axes Linear Scales
The X, Y, Z-axis are all equipped with precision linear scales, providing close-loop feedback control. With these linear scales, high positioning accuracy on 3 axes is guaranteed.

Pretensioned Ball Screws
Ball screws are pretensioned to reduce thermal deformation to a minimum while ensuring lifetime accuracy.



Gearbox Driven Spindle

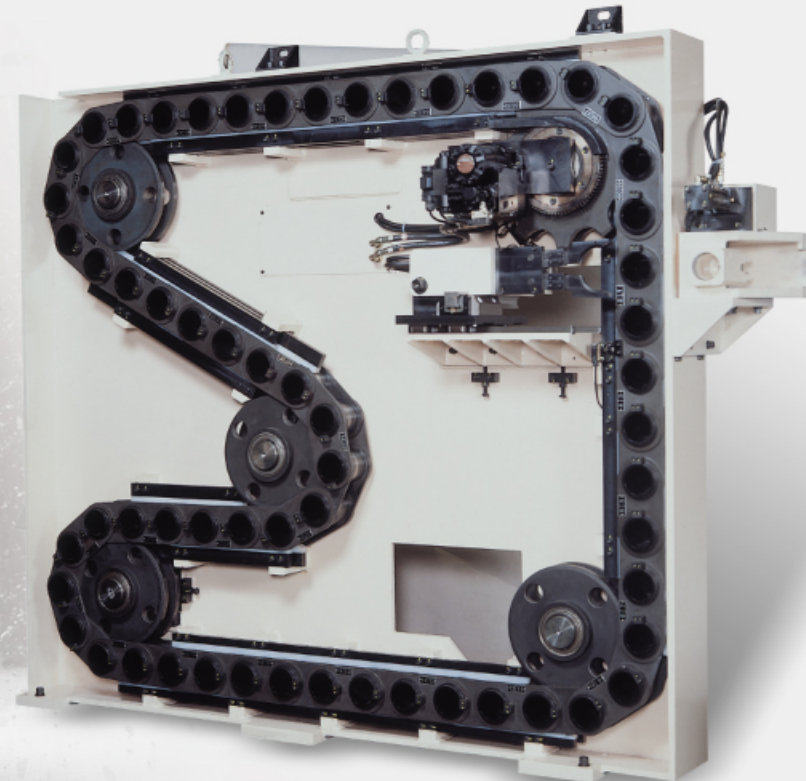
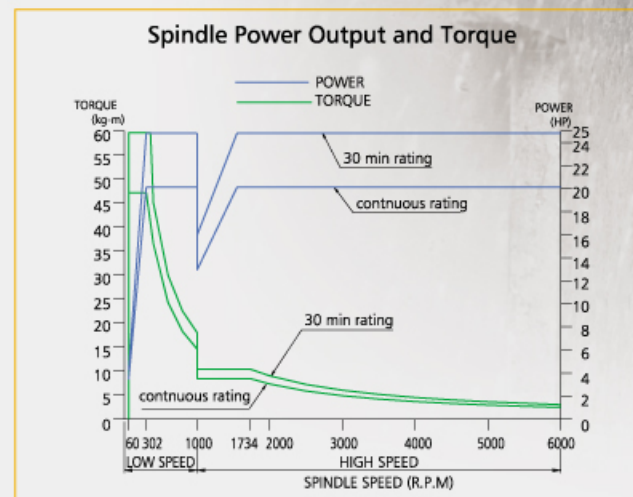
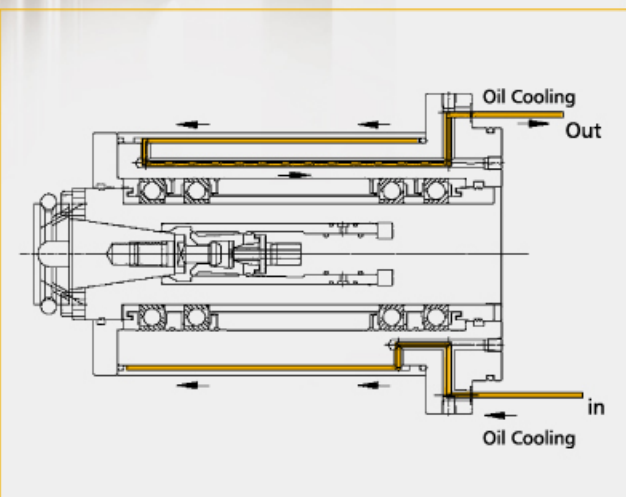
Separately Mounted Chain-type Magazine

Rigid Spindle Head

- » The spindle head is specially designed with 8 faces that contract with the column slideways. The result is improved stability during heavy cutting.
- » The spindle head is a symmetrical design. This keeps thermal deformation to a minimum.

6000 RPM, Gearbox Driven Spindle

- » Spindle speeds are transmitted through a 2 speed gearbox. The gearbox provides full power from 302 rpm.
- » The spindle and gears are forced cooling to reduce thermal growth while ensuring accuracy.
- » The spindle runs in NN type double-row roller bearings, making the machine excellent for heavy cutting. (Optional)

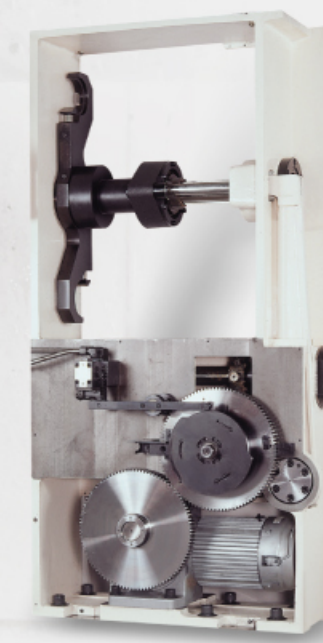


Separately Mounted Chain-type Magazine

60 Tool Standard

90 Tool Optional

- » The magazine is driven by a hydraulic indexing motor for fast rotation and high positioning accuracy.
- » A waiting position of the magazine tool pot allows pre-selection of the next tool to save time.
- » The tool magazine is separately mounted from the machining area to prevent contamination from chips or coolant.



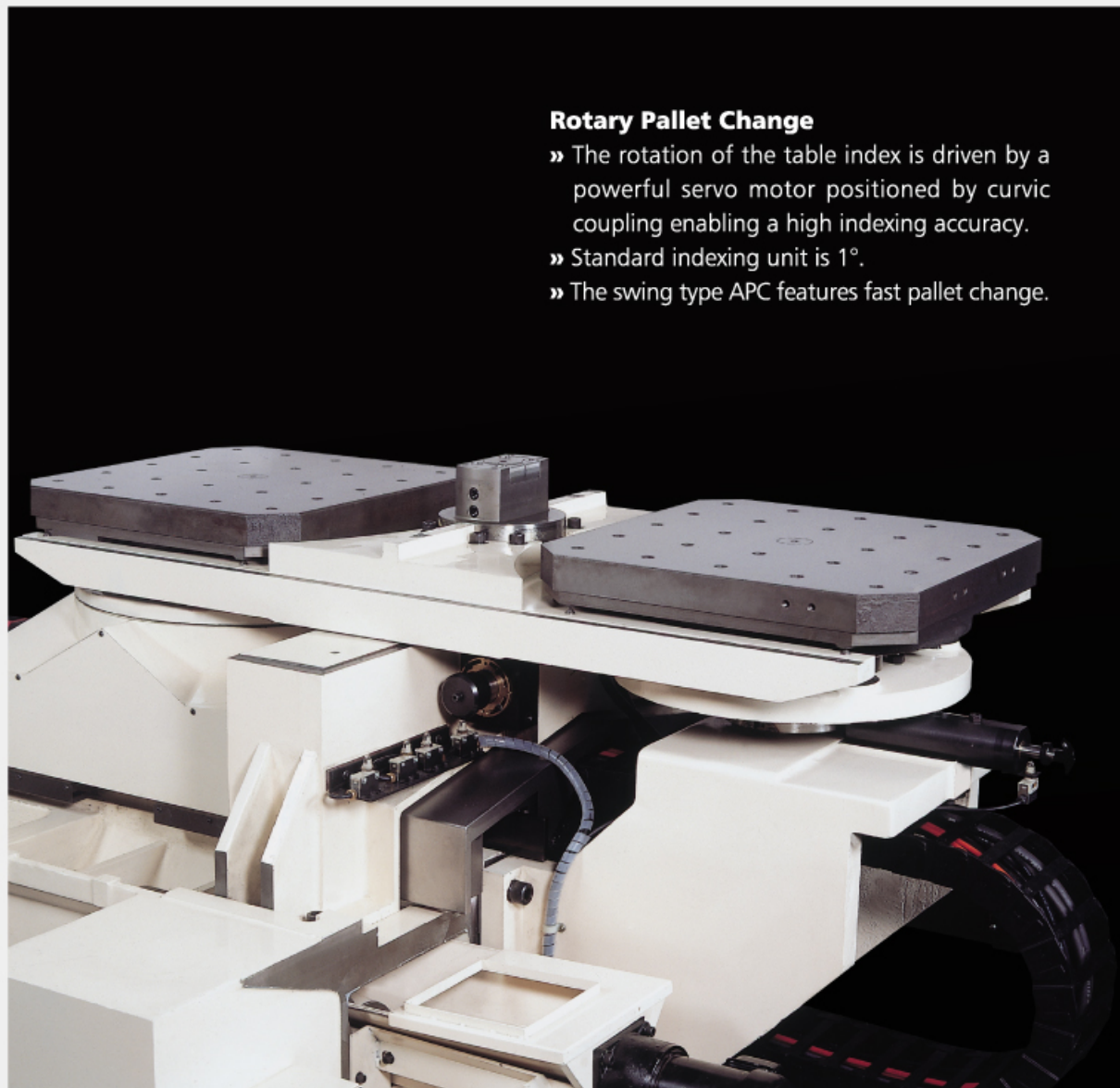
Fast Tool Change

- » The cam-drive tool change arm is supported on both sides.
- » The tool changer permits synchronized tool clamping between the spindle and slave pot resulting in an efficient, fast, smooth operation.
- » An auto door is equipped on the tool changer to protect tools from chips and coolant.

Swing-type Pallet Change

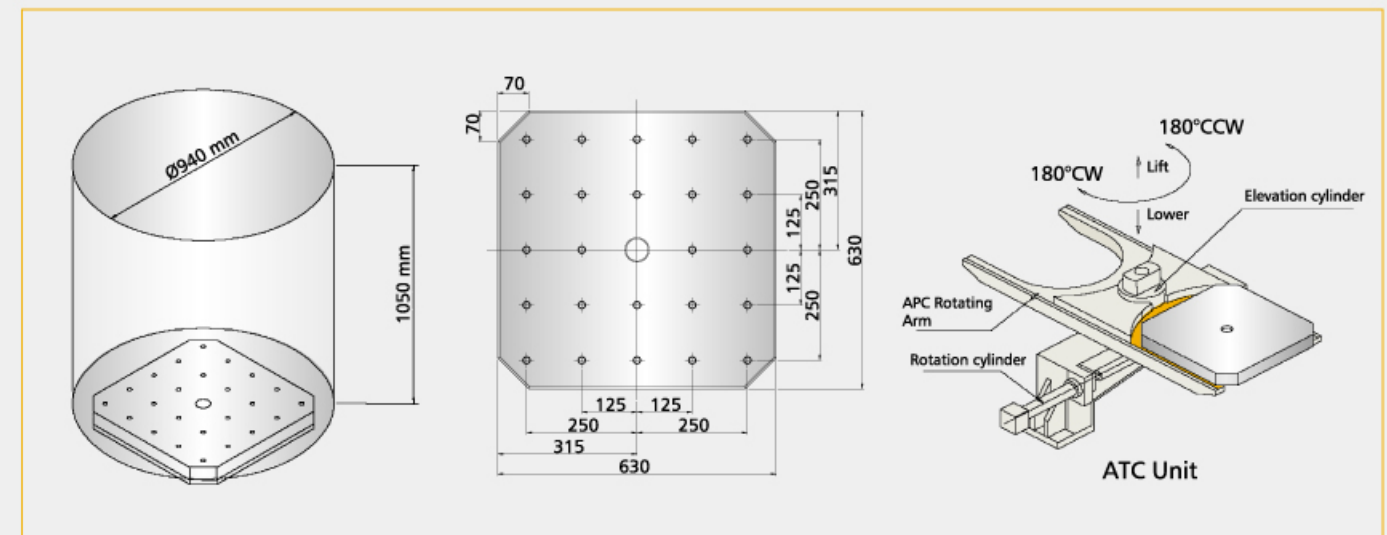


High Pallet Positioning Accuracy
The pallet is accurately positioned on 4 tapered cones for high positioning accuracy and repeatability.

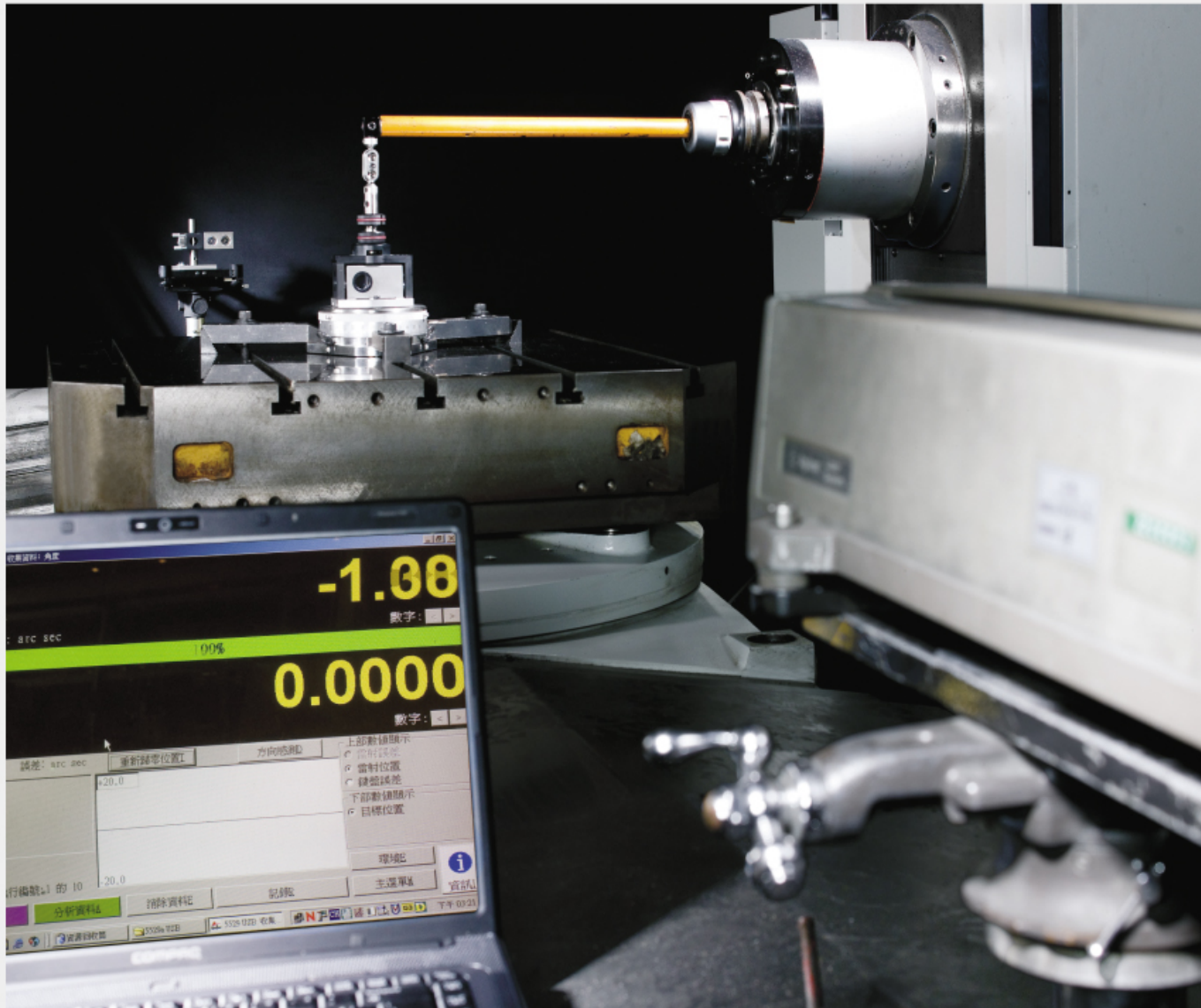


Rotary Pallet Change

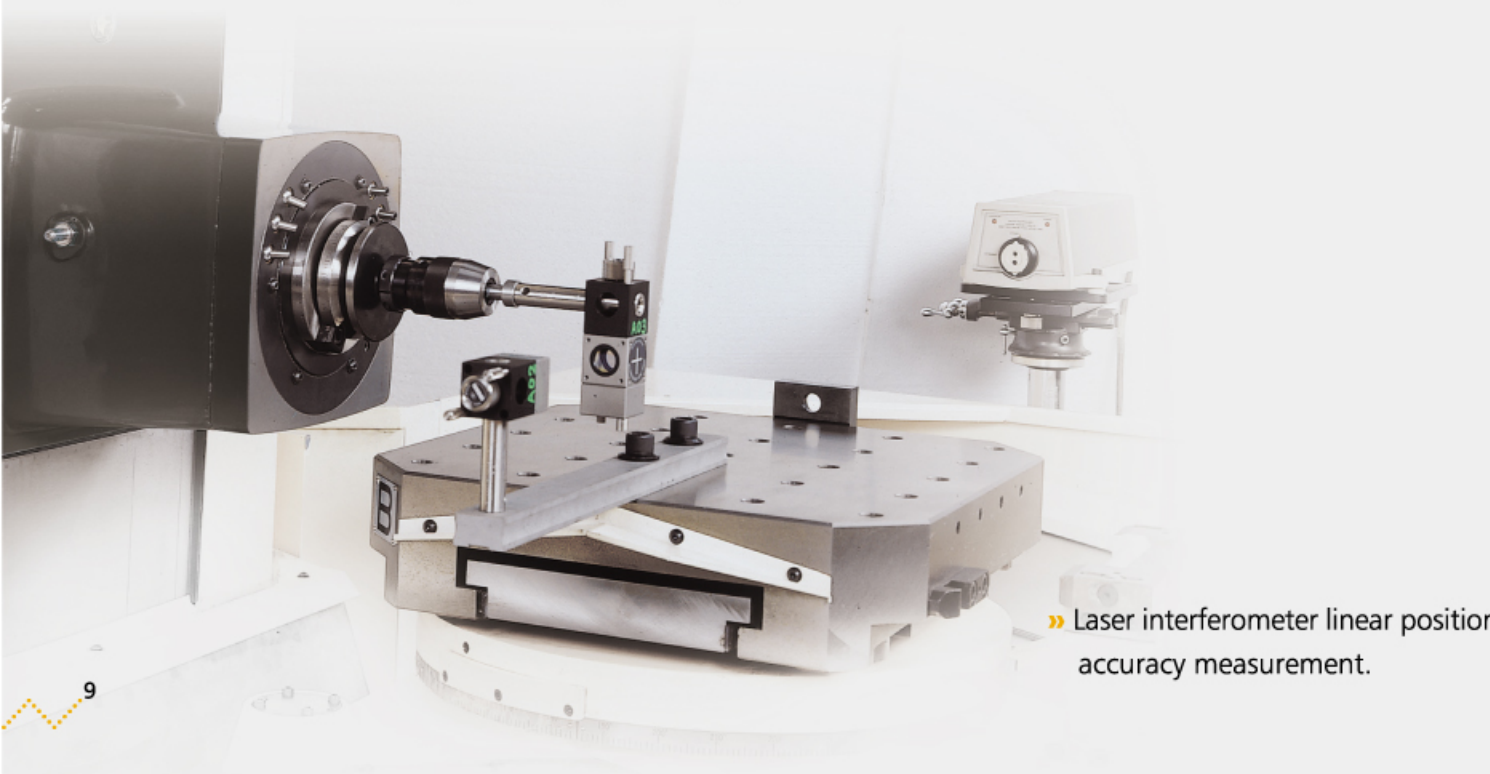
- » The rotation of the table index is driven by a powerful servo motor positioned by curvic coupling enabling a high indexing accuracy.
- » Standard indexing unit is 1°.
- » The swing type APC features fast pallet change.



Ultimate Accuracy Through Rigorous Inspections



» Laser interferometer angular dividing accuracy measurement.



» Laser interferometer linear position accuracy measurement.

SPECIFICATIONS, ACCESSORIES AND DIMENSIONS

SPECIFICATIONS

| | |
|---|--------------------|
| MODEL | MCH-630 |
| TABLE | |
| Pallet dimensions | 630 x 630 mm |
| Min. indexing angle | 1° (0.001°) |
| Max. table load | 1000 kg |
| TRAVEL | |
| Longitudinal travel (X) | 1000 mm |
| Vertical travel (Y) | 800 mm |
| Cross travel (Z) | 800 mm |
| Distance of spindle end to table center | 160-960 mm |
| Distance from spindle center to table surface | 100-900 mm |
| SPINDLE | |
| Spindle nose | BT50 |
| Spindle speeds | 60-6000 rpm |
| Spindle speed range | Two gears variable |
| FEED | |
| Cutting feed | 1-8000 mm/min |
| Rapid traverse | 24 m/min |
| Min. input increment | 0.001 mm |
| ATC (Automatic Tool Changer) | |
| Tool storage capacity | 60 |
| Max. tool (dia. x length) | Ø110 x 400 mm |
| Max. tool weight | 20 KG |
| Tool selection | Random |
| MOTORS | |
| Spindle motor (rated output for 30 minutes) | 18.5 kw (25 HP) |
| Drive motors | |
| X axis | 4 kw (5.3 HP) |
| Y axis | 7 kw (9.3 HP) |
| Z axis | 4 kw (5.3 HP) |
| MACHINE SPACE AND WEIGHT | |
| Floor space | 4500 x 6230 mm |
| Machine weight | 18000 kg |

Specifications are subject to change without prior notice.

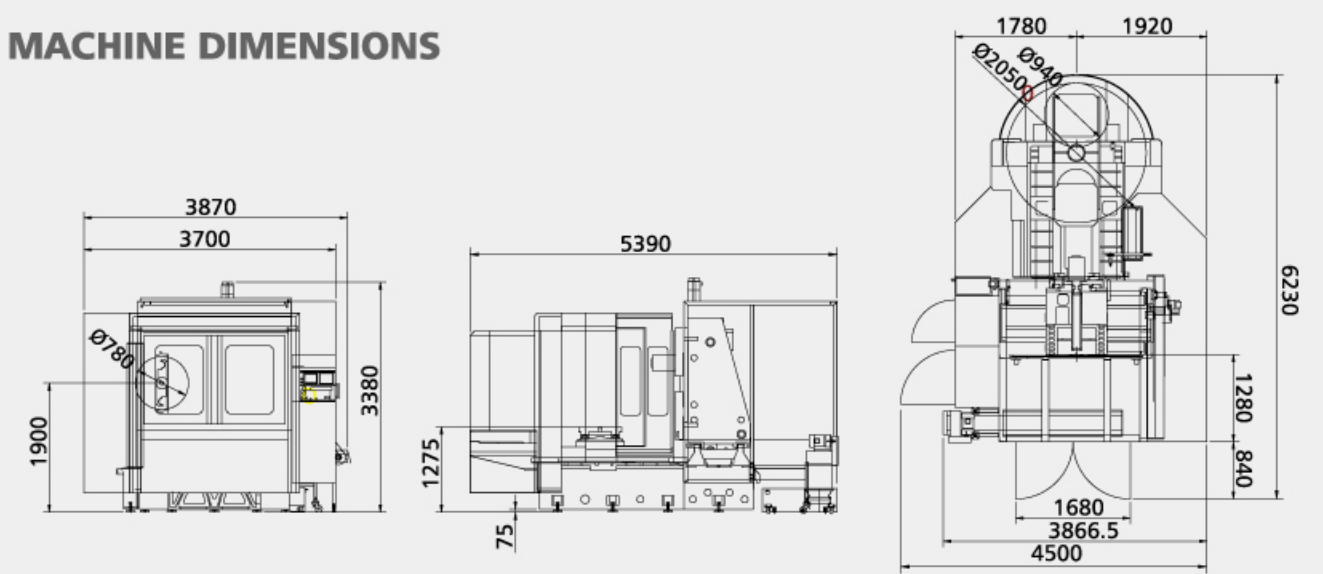
» STANDARD

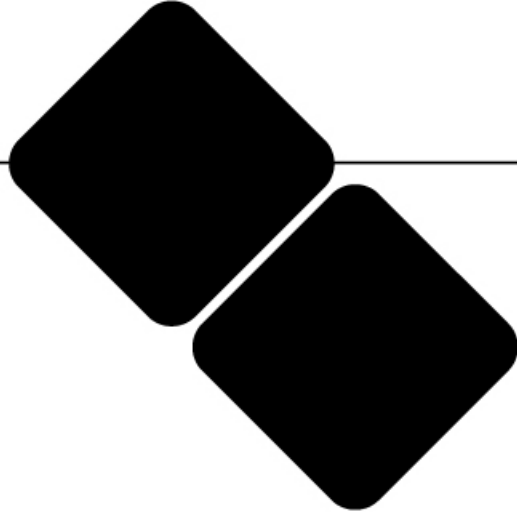
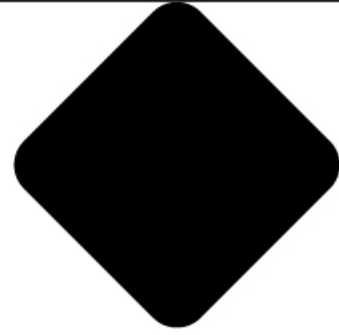
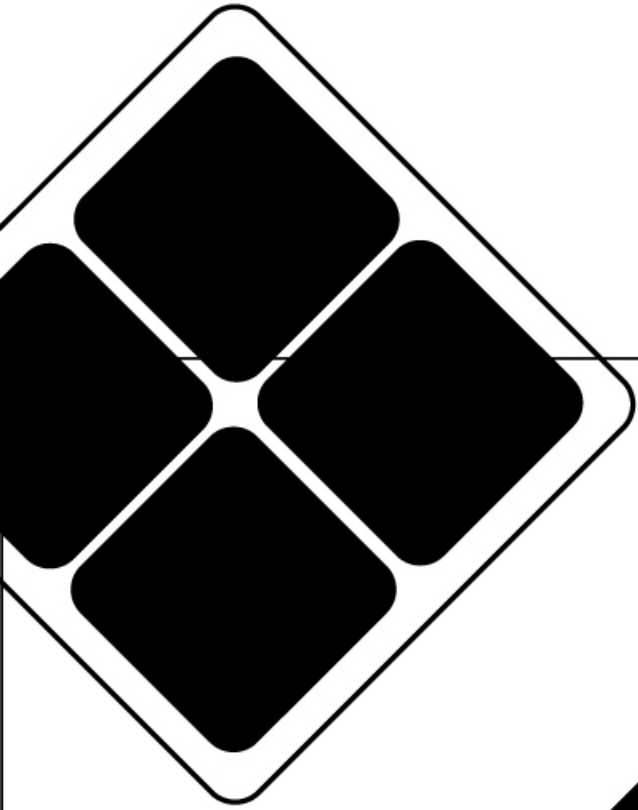
1. SPINDLE COOLING DEVICE
2. HEAT EXCHANGER
3. AUTOMATIC PALLET CHANGER WITH MANUAL ROTATION
4. REMOVABLE TYPE MANUAL PULSE GENERATOR
5. X.Y.Z. LINEAR SCALE
6. FLOOD COOLANT DEVICE
7. COOLANT TANK
8. SPIRAL TYPE CHIP CONVEYORS
9. SPINDLE LOAD METER
10. AUTOMATIC POWER CUT-OFF DEVICE
11. CALL LIGHT
12. WORL LIGHT
13. TOOL KIT
14. FLAT TYPE CHIP CONVEYOR

» OPTIONS

1. ATC TOOL STORAGE: 90
2. COOLANT SYSTEM: SHOWER COOLANT, COOLANT GUN
3. CHIP WAGON
4. AUTOMATIC CENTERING DEVICE
5. TOOL BREAKAGE DETECTION DEVICE
6. TOOL LENGTH MEASURING DEVICE
7. TOOL PRESETTER
8. ADDITIONAL CALL LIGHT
9. BUZZER DEVICE

MACHINE DIMENSIONS

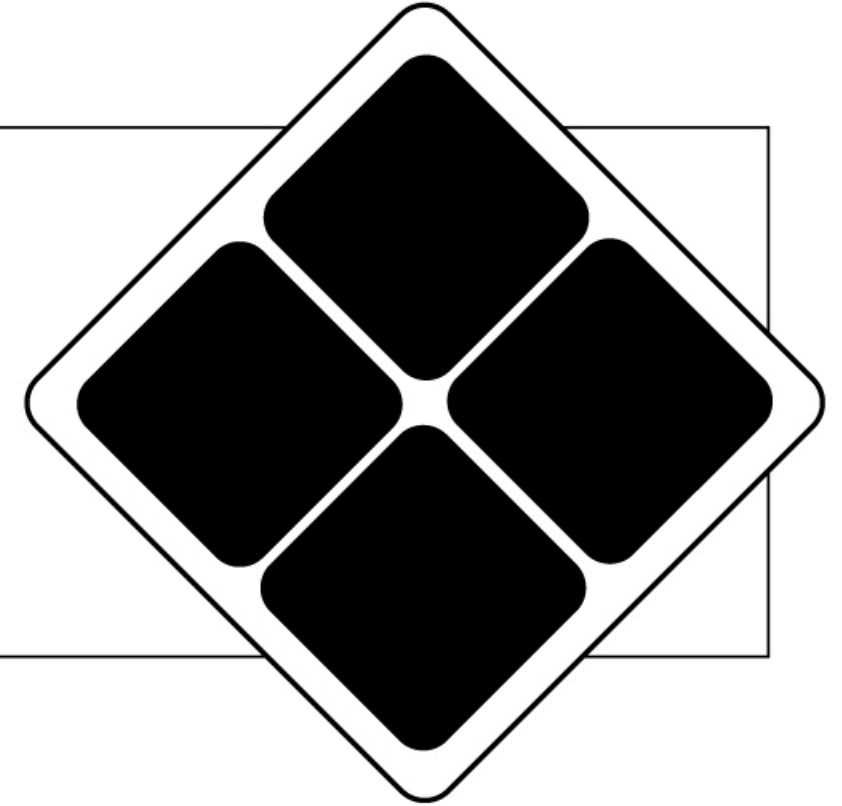




MCH-630

MCV-720

MCV-1020A



MCV-1020BA

MCV-1250

MCV-1450

MCV-1700

MCV-2100

MCV-2600

DCM-2213



DAH LIH MACHINERY INDUSTRY CO., LTD.

The Latest and Best Quality Machinery.
DAHLIH[®]